

# NDS

## EXTRA-LONG ANCHOR WITH SCREW

- Plastic anchor for applications on semi-hollow and hollow brick
- Through fastening
- Complete with zinc plated steel screw with countersunk head
- Anti-rotational wings



### CODES AND DIMENSIONS

CODE	d <sub>0</sub>		L <sub>t</sub>		d <sub>v</sub> x L <sub>v</sub>		t <sub>fix</sub>		h <sub>1,min</sub>		bit	pcs
	[mm]	[in]	[mm]	[in]	[mm]	[in]	[mm]	[in]	[mm]	[in]		
NDS10100	10	0.40	100	4	7 x 105	0.28 x 4 1/8	25	0.98	85	3 3/8	TX40	25
NDS10120			120	4 3/4	7 x 125	0.28 x 4 15/16	45	1.77	85	3 3/8	TX40	25
NDS10140			140	5 1/2	7 x 145	0.28 x 5 11/16	65	2.56	85	3 3/8	TX40	25
NDS10160			160	6 1/4	7 x 165	0.28 x 6 1/2	85	3.35	85	3 3/8	TX40	25
NDS10200			200	8	7 x 205	0.28 x 8 1/16	125	4.92	85	3 3/8	TX40	25

# NDB

## EXTRA-LONG ANCHOR WITH IMPACT SCREW

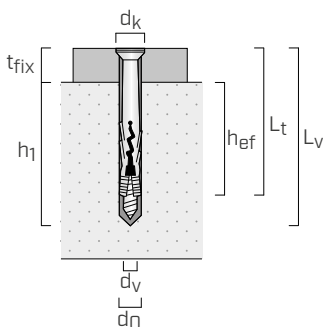
- Plastic anchor with countersunk collar
- Through fastening
- Complete with zinc plated steel impact-screw with countersunk head



### CODES AND DIMENSIONS

CODE	d <sub>0</sub>		L <sub>t</sub>		d <sub>v</sub> x L <sub>v</sub>		t <sub>fix</sub>		h <sub>1,min</sub>		h <sub>ef</sub>		d <sub>k</sub>		bit	pcs
	[mm]	[in]	[mm]	[in]	[mm]	[in]	[mm]	[in]	[mm]	[in]	[mm]	[in]	[mm]	[in]		
NDB640	6	0.24	40	1 9/16	3.8 x 45	0.15 x 1 3/4	10	0.39	30	1 3/16	27	1 1/16	10,0	0.39	PZ 2	200
NDB655			55	2 3/16	3.8 x 60	0.15 x 2 3/8	25	0.98	30	1 3/16	27	1 1/16	10,0	0.39	PZ 2	100
NDB667			67	2 5/8	3.8 x 72	0.15 x 2 13/16	37	1.46	30	1 3/16	27	1 1/16	10,0	0.39	PZ 2	100
NDB860	8	0.32	60	2 3/8	4.8 x 65	0.15 x 2 9/16	25	0.98	40	1 9/16	35	1 3/8	12,2	0.48	PZ 3	100
NDB875			75	2 15/16	4.8 x 80	0.15 x 3 1/8	40	1.57	40	1 9/16	35	1 3/8	12,2	0.48	PZ 3	100
NDB8100			100	4	4.8 x 105	0.15 x 4 1/8	65	2.56	40	1 9/16	35	1 3/8	12,2	0.48	PZ 3	50
NDB8120			120	4 3/4	4.8 x 125	0.15 x 4 15/16	85	3.35	40	1 9/16	35	1 3/8	12,2	0.48	PZ 3	50
NDB8135			135	5 5/16	4.8 x 140	0.15 x 5 1/2	100	3.94	40	1 9/16	35	1 3/8	12,2	0.48	PZ 3	50

### GEOMETRY



- d<sub>0</sub> anchor diameter = hole diameter in the concrete support
- L<sub>t</sub> anchor length
- d<sub>v</sub> x L<sub>v</sub> screw diameter x screw length
- t<sub>fix</sub> maximum fastening thickness
- h<sub>1</sub> minimum hole depth
- h<sub>ef</sub> effective anchoring depth
- d<sub>k</sub> head diameter