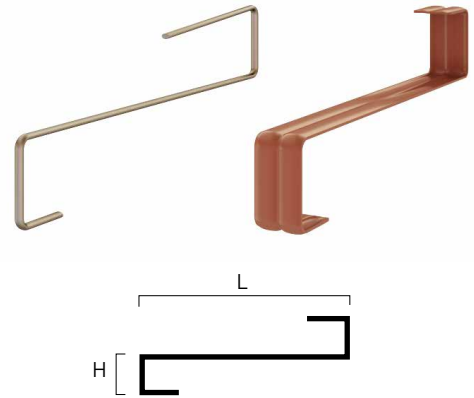


CLIPS


TILE STOP S

S PRE-SHAPED HOOKS FOR PLAIN TILES

- Prevents roof from slipping
- Dry installation
- Fast and safe interlocking
- Installation with foam or mortar is avoided in compliance with standard UNI 9460
- Wide range of materials and sizes available



CODES AND DIMENSIONS

CODE	L [mm]	H [mm]	L [in]	H [in]	material	colour	RAL	
TSSI9016 ⁽¹⁾	90	16	3.5	0.6	steel AISI 204	steel	-	100
TSSI9020 ⁽¹⁾	90	20	3.5	0.8	steel AISI 204	steel	-	100
TSSI12016 ⁽¹⁾	120	16	4.7	0.6	steel AISI 204	steel	-	50
TSSI12020 ⁽¹⁾	120	20	4.7	0.8	steel AISI 204	steel	-	50
TSSRED9016 ⁽¹⁾	90	16	3.5	0.6	pre-painted metal sheet	Siena red	3009	50
TSSRED9020 ⁽¹⁾	90	20	3.5	0.8	pre-painted metal sheet	Siena red	3009	50
TSSRED12016 ⁽¹⁾	120	16	4.7	0.6	pre-painted metal sheet	Siena red	3009	50
TSSRED12020 ⁽¹⁾	120	20	4.7	0.8	pre-painted metal sheet	Siena red	3009	50
TSSBRO9016 ⁽¹⁾	90	16	3.5	0.6	pre-painted metal sheet	brown	8019	100
TSSBRO9020 ⁽¹⁾	90	20	3.5	0.8	pre-painted metal sheet	brown	8019	100
TSSCOP9016 ⁽¹⁾	90	16	3.5	0.6	stainless steel tape	copper	-	50
TSSCOP9020 ⁽¹⁾	90	20	3.5	0.8	stainless steel tape	copper	-	50

⁽¹⁾Products available only upon order.

 Waste classification (2014/955/EU): 17 04 05.

RECOMMENDATIONS FOR INSTALLATION

